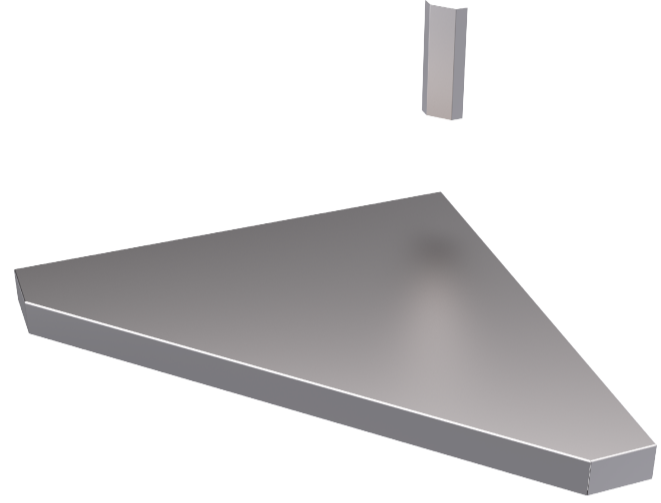
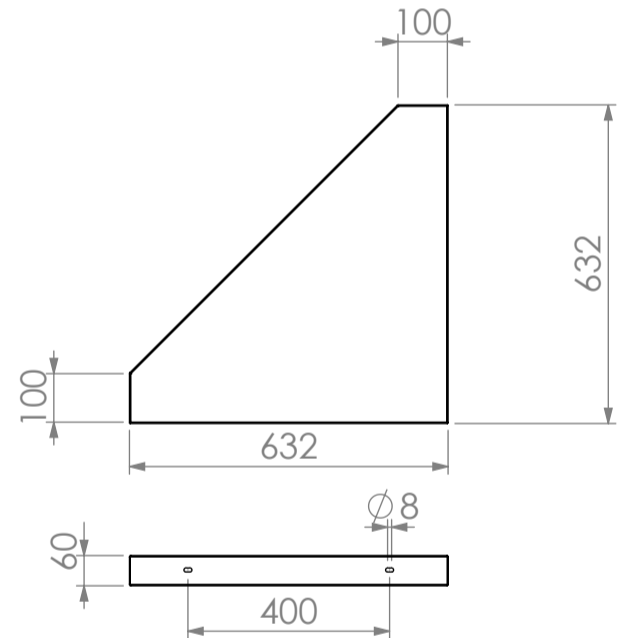




* Benches not included. For illustration only.



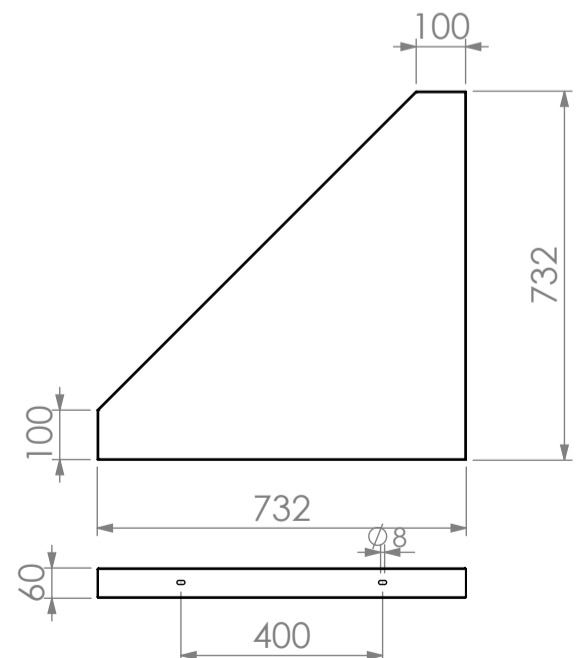
SPECIFICATION	
Top	- High quality 304 grade stainless steel. - 1.2mm gauge, no. 4 Finish.
Stiffener	- 1.2mm Stainless Steel Top Hat Channel.



NOTE:

1. 600mm DEEP MODULE ELEVATION SHOWN

SBM-CI	CORNER INFILL	
	Product Code	Dimensions (mm)
	SBM-CI-0600	632x632x60
SBM-CI-0700	732x732x60	



NOTE:

1. 700mm DEEP MODULE ELEVATION SHOWN